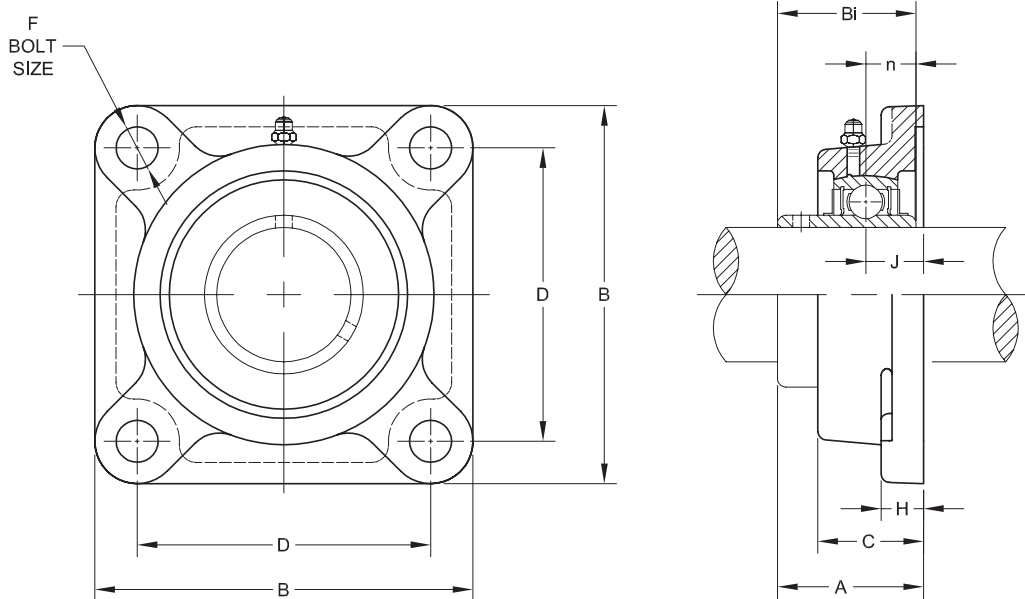


MOUNTED BALL BEARING 4-BOLT FLANGE

UCF 200 Series—Normal Duty Set Screw Locking Collar

SHAFT SIZE	MOLINE PART #	UNIT #	DIMENSIONS (INCHES)					
			B	D	J	H	C	F
1/2	19411008	UCF 201-8	3.386	2.520	.591	.433	1	.453
5/8	19411010	UCF 202-10						
3/4	19411012	UCF 204-12						
7/8	19411014	UCF 205-14	3 3/4	2 3/4	.630	.512	1.063	.453
15/16	19411015	UCF 205-15						
1	19411100	UCF 205-16						
1 1/8	19411102	UCF 206-18	4 1/4	3.267	.709	.512	1.220	.453
1 3/16	19411103	UCF 206-19						
1 1/4	19411104-06	UCF 206-20						
1 1/4	19411104	UCF 207-20	4.606	3.622	.748	.591	1.339	.551
1 5/16	19411105	UCF 207-21						
1 3/8	19411106	UCF 207-22						
1 7/16	19411107	UCF 207-23						
1 1/2	19411108	UCF 208-24	5.118	4.016	.827	.591	1.417	.551
1 9/16	19411109	UCF 208-25						
1 5/8	19411110	UCF 209-26	5.394	4.134	.866	.630	1.496	.630
1 11/16	19411111	UCF 209-27						
1 3/4	19411112	UCF 209-28						

For sale as complete units, inserts and housings.



MOUNTED BALL BEARING 4-BOLT FLANGE

BALL BEARINGS

SHAFT SIZE	DIMENSIONS (INCHES)			BOLT SIZE (INCHES)	INSERT #	HOUSING #	WEIGHT LBS.
	A	Bi	n				
1/2 5/8 3/4	1.311	1.22	0.500	3/8	UC 201-8 UC 202-10 UC 204-12	F204	1.35
7/8 15/16 1	1.406	1.339	0.563	3/8	UC 205-14 UC 205-15 UC 205-16	F205	1.76
1 1/8 1 3/16 1 1/4	1.583	1.500	0.626	3/8	UC 206-18 UC 206-19 UC 206-20	F206	2.36
1 1/4 1 5/16 1 3/8 1 7/16	1.748	1.689	0.689	1/2	UC 207-20 UC 207-21 UC 207-22 UC 207-23	F207	3.09
1 1/2 1 9/16	2.016	1.937	0.748	1/2	UC 208-24 UC 208-25	F208	3.97
1 5/8 1 11/16 1 3/4	2.055	1.937	0.748	1/2	UC 209-26 UC 209-27 UC 209-28	F209	4.85



For personal service and special requests, please call us at 800.242.4633.

CAD drawings available upon request at no additional charge.

Furnished in non-expansion type only.

For nomenclature see pages 226 and 227.



Post Office Box 99, Batavia, Illinois 60510, USA
630.584.4600, 800.242.4633, 630.584.1999 fax
www.molinebearing.com, sales@molinebearing.com

MOLINE BEARING CO.

TEL # **800.242.4633**

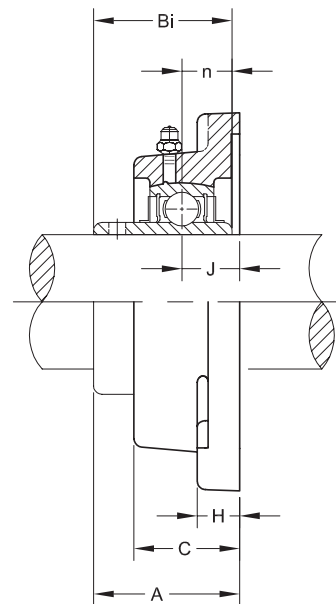
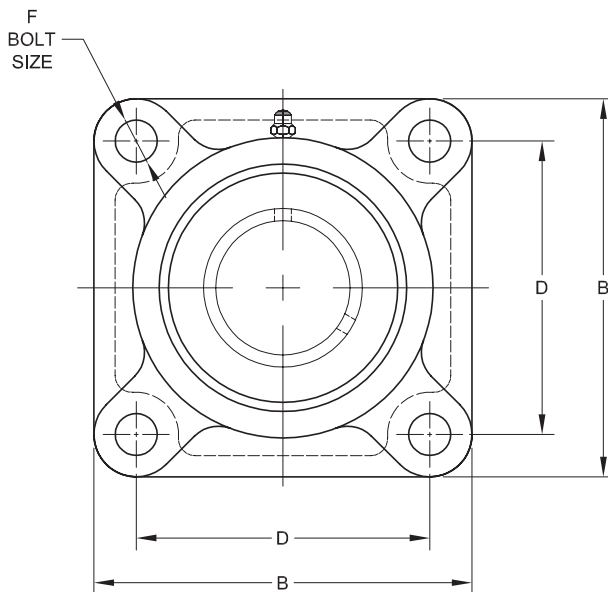
151

MOUNTED BALL BEARING 4-BOLT FLANGE CONTINUED

UCF 200 Series—Normal Duty Set Screw Locking Collar

SHAFT SIZE	MOLINE PART #	UNIT #	DIMENSIONS (INCHES)					
			B	D	J	H	C	F
1 7/8	19411114	UCF 210-30	5.630	4.370	.866	.630	1.574	.709
1 15/16	19411115	UCF 210-31						
2	19411200-10	UCF 210-32						
2	19411200	UCF 211-32	6.378	5.118	.984	.709	1.693	.709
2 1/8	19411202	UCF 211-34						
2 3/16	19411203	UCF 211-35						
2 1/4	19411204	UCF 212-36	6.890	5.630	1.142	.709	1.890	.709
2 3/8	19411206	UCF 212-38						
2 7/16	19411207	UCF 212-39						
2 1/2	19411208	UCF 213-40	7.362	5.866	1.181	.866	1.968	.709
2 3/4	19411212	UCF 214-44	7.598	5.984	1.220	.866	2.125	.709
2 15/16	19411215	UCF 215-47	7 7/8	6.259	1.339	.866	2.205	.709
3	19411300	UCF 215-48						
3 7/16	19411307	UCF 218-55	9.25	7.362	1.575	.984	2.677	.906

For sale as complete units, inserts and housings.



MOUNTED BALL BEARING 4-BOLT FLANGE

SHAFT SIZE	DIMENSIONS (INCHES)			BOLT SIZE (INCHES)	INSERT #	HOUSING #	WEIGHT LBS.
	A	Bi	n				
1 7/8 1 15/16 2	2.150	2.031	0.748	1/2	UC 210-30 UC 210-31 UC 210-32	F210	5.29
2 2 1/8 2 3/16	2.299	2.189	0.874	5/8	UC 211-32 UC 211-34 UC 211-35	F211	7.27
2 1/4 2 3/8 2 7/16	2.705	2.563	1.000	5/8	UC 212-36 UC 212-38 UC 212-39	F212	9.26
2 1/2	2.744	2.563	1.000	5/8	UC 213-40	F213	11.68
2 3/4	2.969	2.937	1.189	5/8	UC 214-44	F214	13.01
2 15/16 3	3.091	3.063	1.311	5/8	UC 215-47 UC 215-48	F215	13.89
3 7/16	3.791	3.78	1.563	3/4	UC 218-55	F216	25.57



For personal service and special requests, please call us at 800.242.4633.

CAD drawings available upon request at no additional charge.

Furnished in non-expansion type only.

For nomenclature see pages 226 and 227.



Post Office Box 99, Batavia, Illinois 60510, USA
630.584.4600, 800.242.4633, 630.584.1999 fax
www.molinebearing.com, sales@molinebearing.com

MOLINE BEARING CO.

TEL # **800.242.4633**

153