

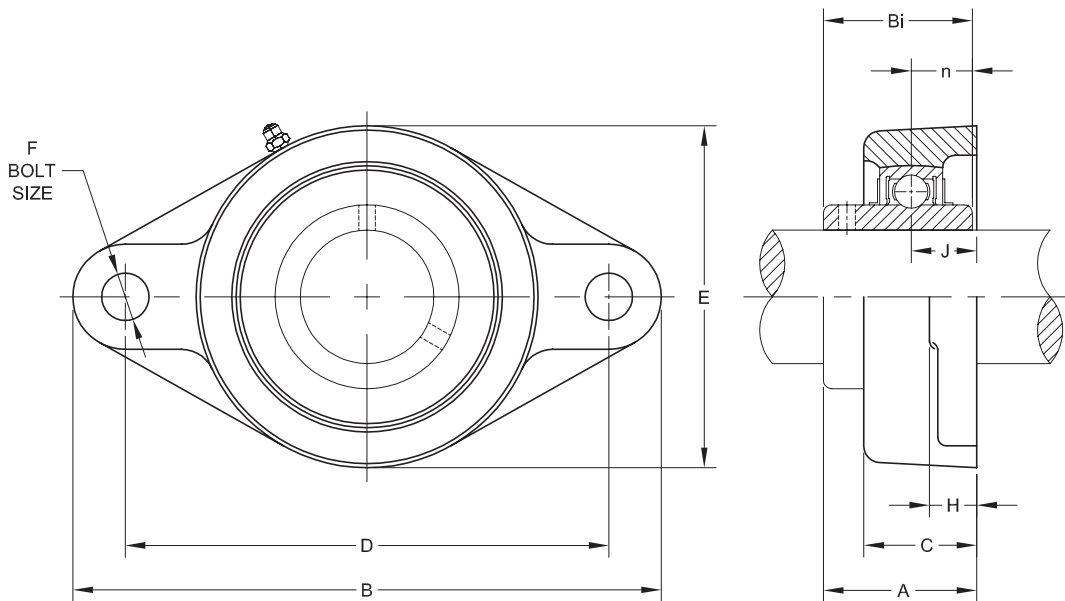
# MOUNTED BALL BEARING 2-BOLT FLANGE

## UCFL 200 Series—Normal Duty Set Screw Locking Collar

BALL BEARINGS

SHAFT SIZE	MOLINE PART #	UNIT #	DIMENSIONS (INCHES)						
			B	D	J	H	C	F	
1/2	19401008	UCFL 201-8							
5/8	19401010	UCFL 202-10	4.489	3.543	.591	.433	1	.452	
3/4	19401012	UCFL 204-12							
7/8	19401014	UCFL 205-14							
15/16	19401015	UCFL 205-15	5.118	3.898	.630	.512	1.062	.452	
1	19401100	UCFL 205-16							
1 1/8	19401102	UCFL 206-18							
1 3/16	19401103	UCFL 206-19	5.827	4.606	.709	.512	1.220	.452	
1 1/4	19401104-06	UCFL 206-20							
1 1/4	19401104	UCFL 207-20							
1 5/16	19401105	UCFL 207-21	6.338	5.118	.748	.551	1.338	.551	
1 3/8	19401106	UCFL 207-22							
1 7/16	19401107	UCFL 207-23							
1 1/2	19401108	UCFL 208-24							
1 9/16	19401109	UCFL 208-25	6.890	5.669	.827	.551	1.417	.551	
1 5/8	19401110	UCFL 209-26							
1 11/16	19401111	UCFL 209-27	7.401	5.827	.866	.630	1.496	.709	
1 3/4	19401112	UCFL 209-28							

For sale as complete units, inserts and housings.



# MOUNTED BALL BEARING 2-BOLT FLANGE

SHAFT SIZE	DIMENSIONS (INCHES)				BOLT SIZE (INCHES)	INSERT #	HOUSING #	WEIGHT LBS.
	E	A	Bi	n				
1/2 5/8 3/4	2.362	1.311	1.220	0.500	3/8	UC 201-8 UC 202-10 UC 204-12	FL204	1.06
7/8 15/16 1	2.677	1.406	1.339	0.563	3/8	UC 205-14 UC 205-15 UC 205-16	FL205	1.43
1 1/8 1 3/16 1 1/4	3 1/8	1.583	1.500	0.626	3/8	UC 206-18 UC 206-19 UC 206-20	FL206	2.16
1 1/4 1 5/16 1 3/8 1 7/16	3 9/16	1.748	1.689	0.689	1/2	UC 207-20 UC 207-21 UC 207-22 UC 207-23	FL207	2.76
1 1/2 1 9/16	3 15/16	2.016	1.937	0.748	1/2	UC 208-24 UC 208-25	FL208	3.64
1 5/8 1 11/16 1 3/4	4 1/4	2.055	1.937	0.748	5/8	UC 209-26 UC 209-27 UC 209-28	FL209	4.30



For personal service and special requests, please call us at 800.242.4633.

CAD drawings available upon request at no additional charge.

**Furnished in non-expansion type only.**

**For nomenclature see pages 226 and 227.**



Post Office Box 99, Batavia, Illinois 60510, USA  
630.584.4600, 800.242.4633, 630.584.1999 fax  
www.molinebearing.com, sales@molinebearing.com

**MOLINE BEARING CO.**

TEL # **800.242.4633**

147

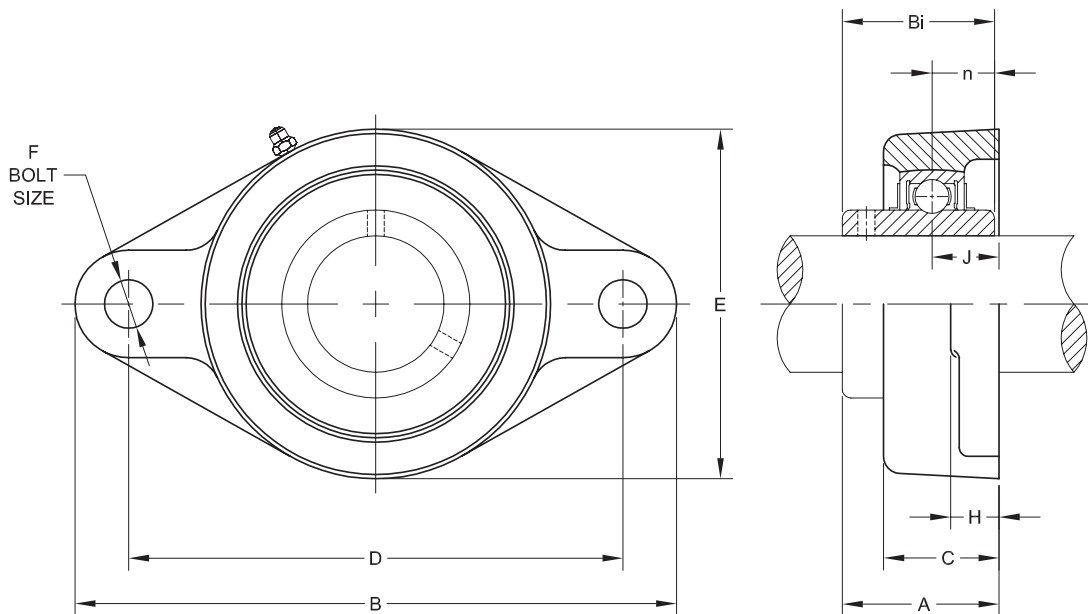
# MOUNTED BALL BEARING 2-BOLT FLANGE CONTINUED

## UCFL 200 Series—Normal Duty Set Screw Locking Collar

BALL BEARINGS

SHAFT SIZE	MOLINE PART #	UNIT #	DIMENSIONS (INCHES)						
			B	D	J	H	C	F	
1 7/8	19401114	UCFL 210-30							
1 15/16	19401115	UCFL 210-31	7.756	6.181	.866	.630	1.575	.709	
2	19401200-10	UCFL 210-32							
2	19401200	UCFL 211-32							
2 1/8	19401202	UCFL 211-34	8.819	7.244	.984	.709	1.693	.709	
2 3/16	19401203	UCFL 211-35							
2 1/4	19401204	UCFL 212-36							
2 3/8	19401206	UCFL 212-38	9.842	7.953	1.142	.709	1.890	.709	
2 7/16	19401207	UCFL 212-39							
2 1/2	19401208	UCFL 213-40	10.157	8.268	1.181	.787	1.968	.905	
2 3/4	19401212	UCFL 214-44	10.433	8.504	1.22	.787	2.126	.905	
2 15/16	19401215	UCFL 215-47	10.827	8.858	1.339	.866	2.165	.905	
3	19401300	UCFL 215-48							
3 7/16	19401307	UCFL 218-55	12.6	10.433	1.575	.906	2.677	.984	

For sale as complete units, inserts and housings.



# MOUNTED BALL BEARING 2-BOLT FLANGE

SHAFT SIZE	DIMENSIONS (INCHES)				BOLT SIZE (INCHES)	INSERT #	HOUSING #	WEIGHT LBS.
	E	A	Bi	n				
1 7/8 1 15/16 2	4 1/2	2.150	2.031	0.748	5/8	UC 210-30 UC 210-31 UC 210-32	FL210	4.96
2 2 1/8 2 3/16	5 1/8	2.299	2.189	0.874	5/8	UC 211-32 UC 211-34 UC 211-35	FL211	7.27
2 1/4 2 3/8 2 7/16	5 1/2	2.705	2.563	1.00	5/8	UC 212-36 UC 212-38 UC 212-39	FL212	9.37
2 1/2	6 1/8	2.744	2.563	1.00	3/4	UC 213-40	FL213	11.68
2 3/4	6 5/16	2.969	2.937	1.189	3/4	UC 214-44	FL214	13.23
2 15/16 3	6 1/2	3.091	3.063	1.311	3/4	UC 215-47 UC 215-48	FL215	14.33
3 7/16	8 1/16	3.803	3.791	1.563	7/8	UC 218-55	FL218	27.33



For personal service and special requests, please call us at 800.242.4633.

CAD drawings available upon request at no additional charge.

**Furnished in non-expansion type only.**

**For nomenclature see pages 226 and 227.**



Post Office Box 99, Batavia, Illinois 60510, USA  
630.584.4600, 800.242.4633, 630.584.1999 fax  
www.molinebearing.com, sales@molinebearing.com

**MOLINE BEARING CO.**

TEL # **800.242.4633**

149