

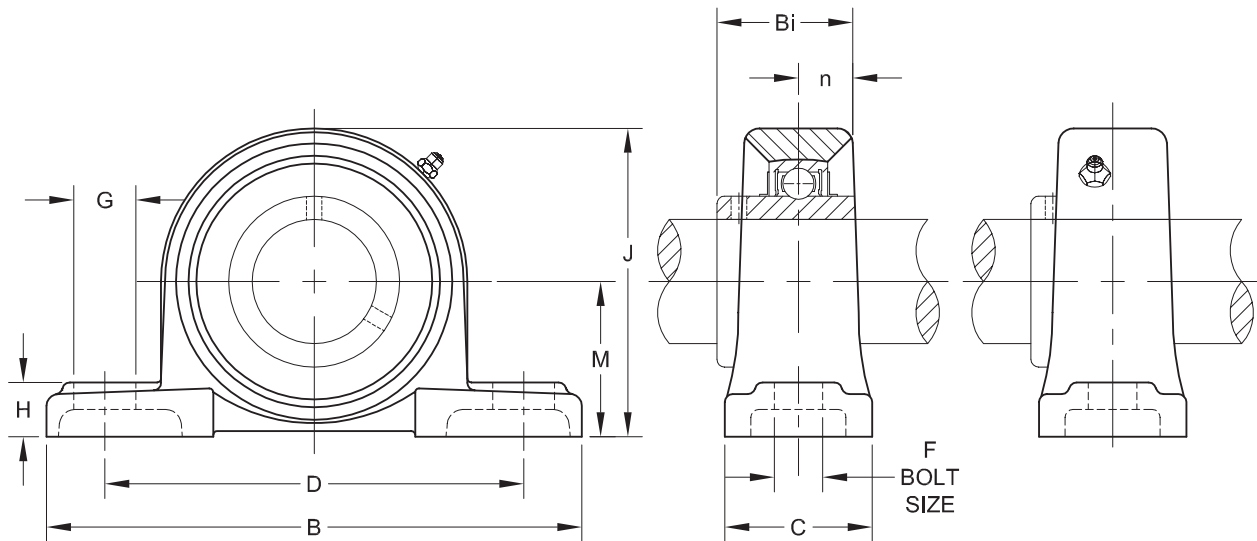
# MOUNTED BALL BEARING 2-BOLT PILLOW BLOCK

## UCP 200 Series—Normal Duty Set Screw Locking Collar

BALL BEARINGS

SHAFT SIZE	MOLINE PART #	UNIT #	DIMENSIONS (INCHES)				
			M	B	D	C	F
1/2	19421008	UCP 201-8					
5/8	19421010	UCP 202-10	1 5/16	5	3.779	1.456	1/2
3/4	19421012	UCP 204-12					
7/8	19421014	UCP 205-14					
15/16	19421015	UCP 205-15	1 7/16	5 1/2	4 1/8	1 1/2	1/2
1	19421100	UCP 205-16					
1 1/8	19421102	UCP 206-18					
1 3/16	19421103	UCP 206-19	1 11/16	6 1/4	4 3/4	1.732	.551
1 1/4	19421104-06	UCP 206-20					
1 1/4	19421104	UCP 207-20					
1 5/16	19421105	UCP 207-21	1 7/8	6 9/16	5	1-7/8	.590
1 3/8	19421106	UCP 207-22					
1 7/16	19421107	UCP 207-23					
1 1/2	19421108	UCP 208-24	1 15/16	7 1/4	5.354	2.047	.590
1 9/16	19421109	UCP 208-25					

For sale as complete units, inserts and housings.



# MOUNTED BALL BEARING 2-BOLT PILLOW BLOCK

BALL BEARINGS

SHAFT SIZE	DIMENSIONS (INCHES)					BOLT SIZE (INCHES)	INSERT #	HOUSING #	WEIGHT LBS.
	G	H	J	Bi	n				
1/2 5/8 3/4	6 1/4	.551	2.511	1.22	0.500	3/8	UC 201-8 UC 202-10 UC 204-12	P204	1.43
7/8 15/16 1	3/4	.590	2.736	1.339	0.563	3/8	UC 205-14 UC 205-15 UC 205-16	P205	1.59
1 1/8 1 3/16 1 1/4	3/4	6 1/4	3.228	1.50	0.626	1/2	UC 206-18 UC 206-19 UC 206-20	P206	2.54
1 1/4 1 5/16 1 3/8 1 7/16	3/4	.669	3.622	1.689	0.689	1/2	UC 207-20 UC 207-21 UC 207-22 UC 207-23	P207	3.37
1 1/2 1 9/16	13/16	.709	3.858	1.937	0.748	1/2	UC 208-24 UC 208-25	P208	4.14



For personal service and special requests, please call us at 800.242.4633.

CAD drawings available upon request at no additional charge.

**Furnished in non-expansion type only.**

**For nomenclature see pages 226 and 227.**



Post Office Box 99, Batavia, Illinois 60510, USA  
630.584.4600, 800.242.4633, 630.584.1999 fax  
www.molinebearing.com, sales@molinebearing.com

**MOLINE BEARING CO.**

TEL # **800.242.4633**

143

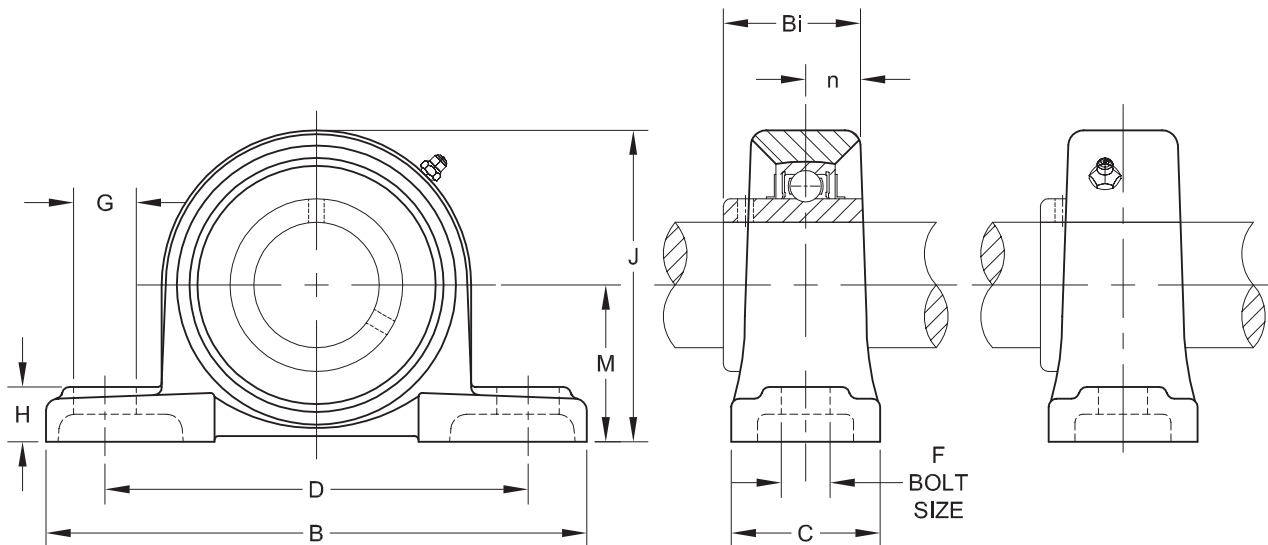
# MOUNTED BALL BEARING 2-BOLT PILLOW BLOCK CONTINUED

## UCP 200 Series—Normal Duty Set Screw Locking Collar

BALL BEARINGS

SHAFT SIZE	MOLINE PART #	UNIT #	DIMENSIONS (INCHES)				
			M	B	D	C	F
1 5/8 1 11/16 1 3/4	19421110 19421111 19421112	UCP 209-26 UCP 209-27 UCP 209-28	2 1/8	7.44	5 3/4	2-1/8	.590
1 7/8 1 15/16 2	19421114 19421115 19421200-10	UCP 210-30 UCP 210-31 UCP 210-32	2 1/4	8.031	6 1/4	2.244	3/4
2 2 1/8 2 3/16	19421200 19421202 19421203	UCP 211-32 UCP 211-34 UCP 211-35	2 1/2	8.543	6.771	2-3/8	3/4
2 1/4 2 3/8 2 7/16	19421204 19421206 19421207	UCP 212-36 UCP 212-38 UCP 212-39	2 3/4	9.370	7.323	2.598	3/4
2 1/2	19421208	UCP 213-40	3	10.315	8	2 3/4	.905
2 3/4	19421212	UCP 214-44	3 1/8	10.472	8.268	2.834	.905
2 15/16 3	19421215 19421300	UCP 215-47 UCP 215-48	3 1/4	10.787	8.543	2.913	.984
3 7/16	19421307	UCP 218-55	4	12.835	10.315	3.465	1.05

For sale as complete units, inserts and housings.



# MOUNTED BALL BEARING 2-BOLT PILLOW BLOCK

SHAFT SIZE	DIMENSIONS (INCHES)					BOLT SIZE (INCHES)	INSERT #	HOUSING #	WEIGHT LBS.
	G	H	J	Bi	n				
1 5/8 1 11/16 1 3/4	13/16	.787	4.153	1.937	0.748	1/2	UC 209-26 UC 209-27 UC 209-28	P209	4.63
1 7/8 1 15/16 2	.866	.827	4.417	2.031	0.748	5/8	UC 210-30 UC 210-31 UC 210-32	P210	5.51
2 2 1/8 2 3/16	.866	.866	4.901	2.189	0.874	5/8	UC 211-32 UC 211-34 UC 211-35	P211	7.28
2 1/4 2 3/8 2 7/16	.984	.945	5.394	2.563	1.000	5/8	UC 212-36 UC 212-38 UC 212-39	P212	12.13
2 1/2	1.142	1.023	5.866	2.566	1.000	3/4	UC 213-40	P213	12.35
2 3/4	1.142	1.063	6.102	2.937	1.189	3/4	UC 214-44	P214	14.55
2 15/16 3	1.142	1.102	6.363	3.063	1.311	3/4	UC 215-47 UC 215-48	P215	16.09
3 7/16	1.181	1.30	7.795	3.78	1.563	7/8	UC 218-55	P218	32.40

BALL BEARINGS



For personal service and special requests, please call us at 800.242.4633.

CAD drawings available upon request at no additional charge.

**For nomenclature see pages 226 and 227.**



Post Office Box 99, Batavia, Illinois 60510, USA  
630.584.4600, 800.242.4633, 630.584.1999 fax  
www.molinebearing.com, sales@molinebearing.com

**MOLINE BEARING CO.**

TEL # **800.242.4633**

145