

# ME3000 EVEN-LOK™ PILOTED FLANGE CARTRIDGE WITH TYPE E DIMENSIONS

SHAFT SIZE	MOLINE PART #		DIMENSIONS (INCHES)										WEIGHT LBS.
	EXP	NON-EXP	A	B	C	D	E	F	G	H	K	M	
1 1/16	29631111	29731111	2 1/32	6 1/8	2 3/16	5 1/8	7/8	7/16	3/4	1/2	4 1/4	3 5/8	8.5
1 15/16 2	29631115 29631200	29731115 29731200	2 1/32	6 3/8	2 3/16	5 3/8	7/8	7/16	1 1/16	1/2	4 1/2	3 51/64	10.5
2 3/16	29631203	29731203	2 1/32	7 1/8	2 7/16	6	1	1/2	1 5/16	1/2	5	4 1/4	14.5
2 7/16 2 1/2	29631207 29631208	29731207 29731208	2 37/64	7 5/8	2 11/16	6 1/2	1	1/2	1 1/16	5/8	5 1/2	4 19/32	16
2 11/16 2 3/4 2 15/16 3	29631211 29631212 29631215 29631300	29731211 29731212 29731215 29731300	2 37/64	8 3/4	2 13/16	7 1/2	1 1/4	5/8	1	3/4	6 3/8	5 19/64	22
3 7/16 3 1/2	29631307 29631308	29731307 29731308	3 9/64	10 1/4	3 1/4	8 5/8	1 1/4	3/4	1 1/2	1 5/16	7 3/8	6 3/32	33
3 15/16 4	29631315 29631400	29731315 29731400	3 9/64	10 7/8	3 9/16	9 3/8	1 1/2	3/4	1 7/16	1 1/16	8 1/8	6 5/8	45

Refer to Mounting and Dismounting Instructions on pages 120 and 121.

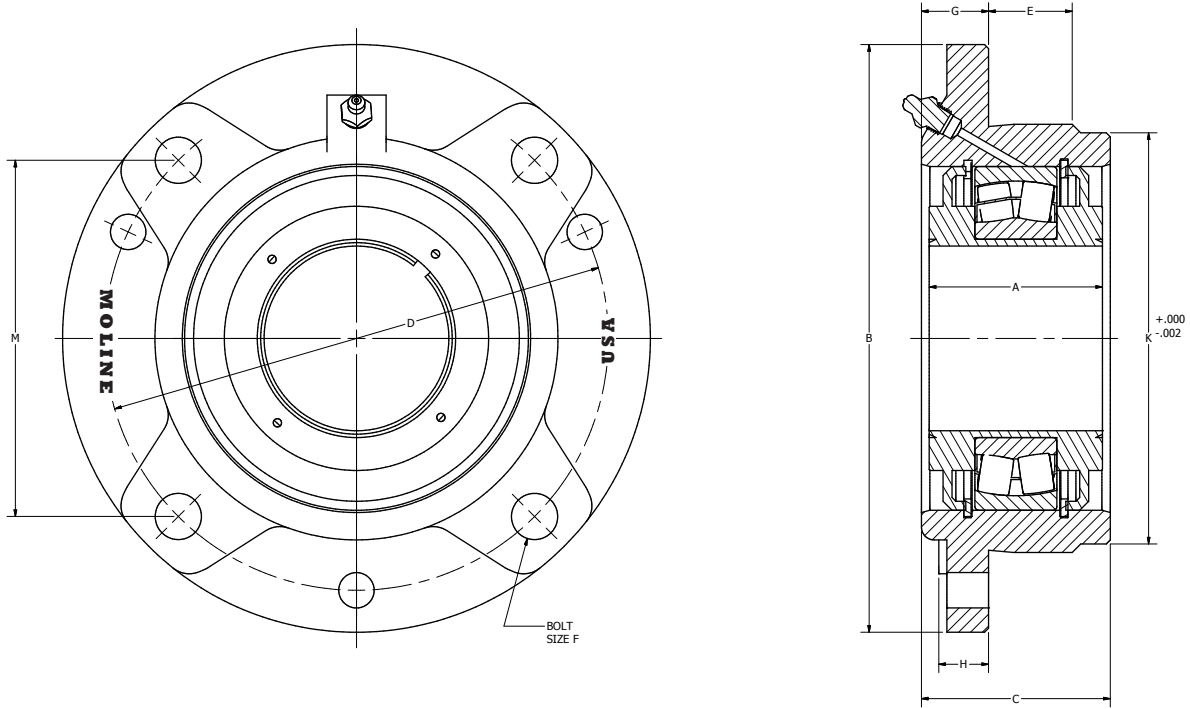
For applications that exceed the load ratings above, please contact the factory for assistance.

Please Note: Before mounting, make sure there is sufficient clearance to access dismounting set screws on the back of the housing unit (yellow plastic protection plugs)

ME-3000™  
SPHERICALS



# ME3000 EVEN-LOK™ PILOTED FLANGE CARTRIDGE WITH TYPE E DIMENSIONS



For personal service and special requests, please call us at 800.242.4633. CAD drawings available upon request at no additional charge.

**For nomenclature see pages 226 and 227.**

ME-3000™  
SPHERICALS



Post Office Box 99, Batavia, Illinois 60510, USA  
630.584.4600, 800.242.4633, 630.584.1999 fax  
www.molinebearing.com, sales@molinebearing.com

**MOLINE BEARING CO.**

TEL # **800.242.4633**

119