

ME3000 EVEN-LOK™ 4-BOLT FLANGE WITH TYPE E DIMENSIONS

SHAFT SIZE	MOLINE PART #		DIMENSIONS (INCHES)							WEIGHT LBS.
	EXP	NON-EXP	A	B	C	D	F	H	J	
1 7/16	29611107	29711107	2 11/32	4 5/8	2 19/32	3 1/2	1/2	1 1/16	3 7/8	7.2
1 1/2	29611108	29711108	2 11/32	5 5/8	2 31/32	4 1/8	1/2	1 3/16	4 1/4	11.93
1 11/16	29611111	29711111								11.31
1 3/4	29611112	29711112	2 11/32	5 3/8	3 3/32	4 3/8	1/2	1 3/16	4 1/2	12.6
1 15/16	29611115	29711115								11.9
2	29611200	29711200								14.6
2 3/16	29611203	29711203	2 11/32	6 1/4	3 9/32	4 7/8	5/8	1 3/8	4 7/8	14.6
2 7/16	29611207	29711207	2 37/64	6 7/8	3 9/16	5 3/8	5/8	1 1/2	5 3/4	23.5
2 1/2	29611208	29711208								
2 11/16	29611211	29711211	2 37/64	7 3/4	3 15/16	6	3/4	1 5/8	6 1/2	31.5
2 3/4	29611212	29711212								
2 15/16	29611215	29711215								
3	29611300	29711300								
3 3/16	29611303	29711303	3 9/64	9 1/4	4 1/2	7	3/4	1 7/8	7 5/8	51.5
3 7/16	29611307	29711307								
3 1/2	29611308	29711308								
3 15/16	29611315	29711315	3 9/64	10 1/4	5 5/8	7 3/4	7/8	2 1/8	8 7/16	64.8
4	29611400	29711400								

Refer to Mounting and Dismounting Instructions on pages 120 and 121.

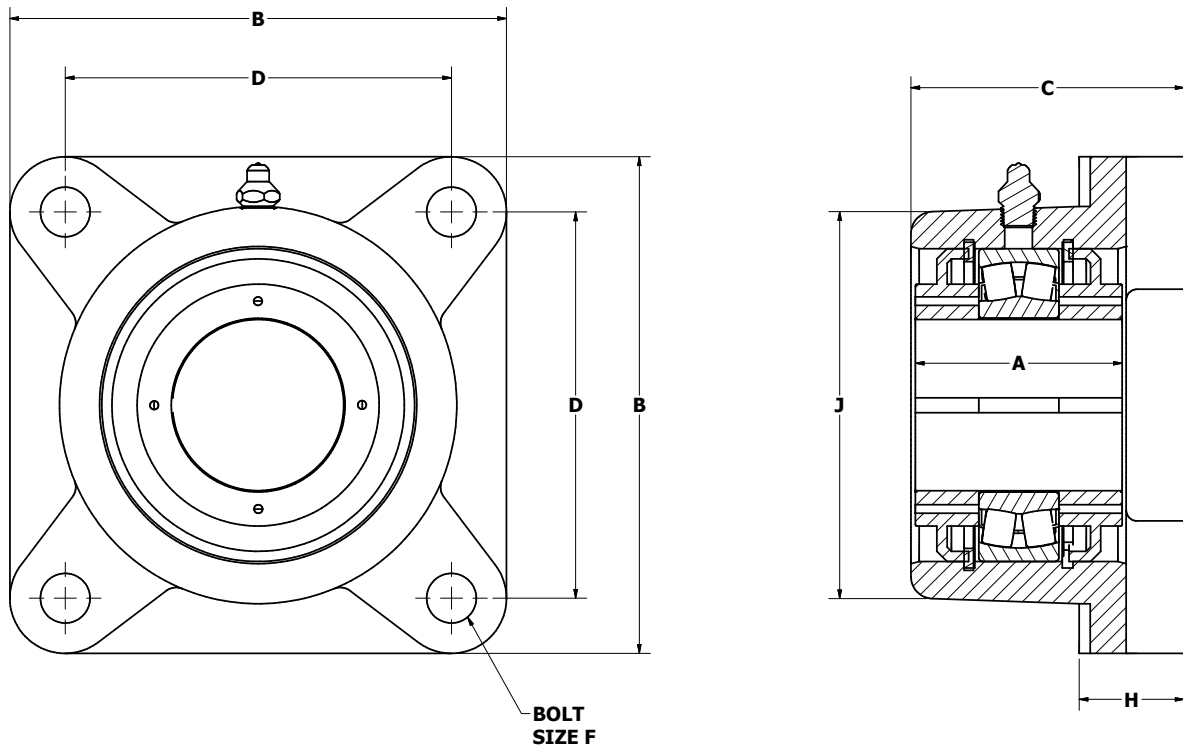
For applications that exceed the load ratings above, please contact the factory for assistance.

Please Note: Before mounting, make sure there is sufficient clearance to access dismounting set screws on the back of the housing unit (yellow plastic protection plugs)

ME-3000™
SPHERICALS



ME3000 EVEN-LOK™ 4-BOLT FLANGE WITH TYPE E DIMENSIONS



For personal service and special requests, please call us at 800.242.4633.
 CAD drawings available upon request at no additional charge.
For nomenclature see pages 226 and 227.

ME-3000™
 SPHERICALS



Post Office Box 99, Batavia, Illinois 60510, USA
 630.584.4600, 800.242.4633, 630.584.1999 fax
 www.molinebearing.com, sales@molinebearing.com

MOLINE BEARING CO.

TEL # **800.242.4633**