

ME3000 EVEN-LOK™ 2-BOLT PILLOW BLOCK WITH TYPE E DIMENSIONS

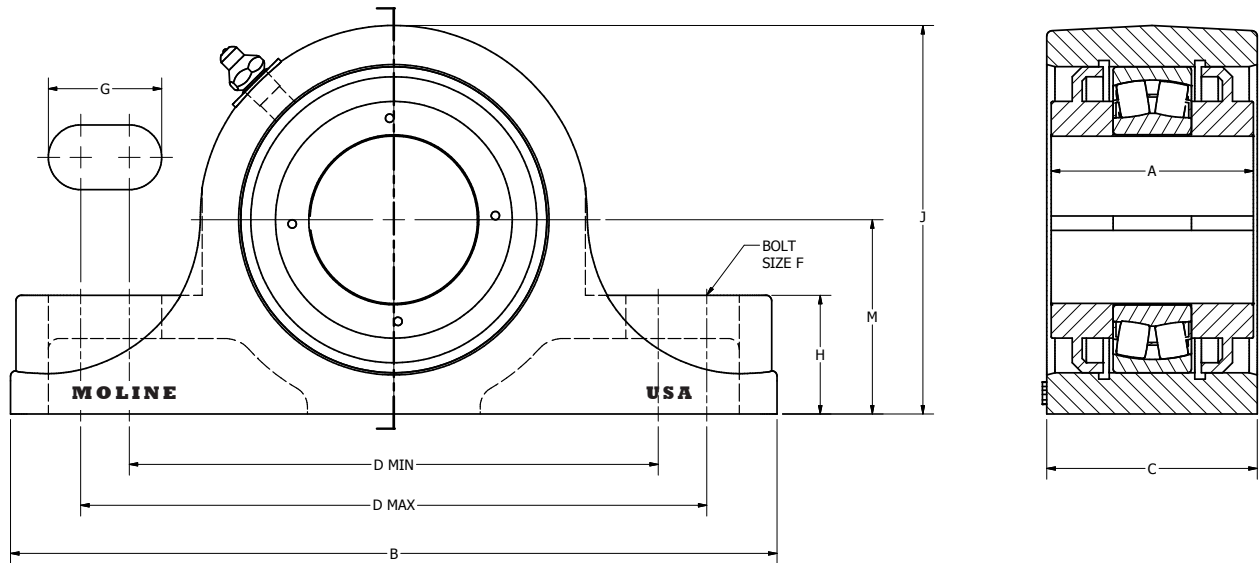
SHAFT SIZE	MOLINE PART #		DIMENSIONS (INCHES)											WT. LBS.
	EXP	NON-EXP	A	B	C	MIN D	CENTER TO CENTER D	MAX D	F	G	H	J	M	
1 7/16	29621107	29721107	2 11/32	7 3/8	2 1/8	5	5 1/2	6	1/2	1 1/8	1 1/8	3 7/8	1 7/8	6.9
1 1/2 1 15/16	29621108 29621111	29721108 29721111	2 11/32	7 7/8	2 3/8	5 5/8	6 1/16	6 1/2	1/2	1 1/16	1 1/4	4 1/4	2 1/8	9.0
1 3/4 1 15/16 2	29621112 29621115 29621200	29721112 29721115 29721200	2 11/32	8 7/8	2 7/16	6 1/8	6 11/16	7 1/4	5/8	1 5/16	1 3/8	4 1/2	2 1/4	10.5
2 3/16	29621203	29721203	2 11/32	9 5/8	2 5/8	6 11/16	7 3/8	8	5/8	1 7/16	1 1/2	5	2 1/2	11.8
2 7/16 2 1/2	29621207 29621208	29721207 29721208	2 37/64	10 1/2	2 7/8	7 1/8	7 7/8	8 5/8	5/8	1 1/2	1 5/8	5 11/16	2 3/4	17.5
2 11/16 2 3/4 2 15/16 3	29621211 29621212 29621215 29621300	29721211 29721212 29721215 29721300	2 37/64	12	3	7 7/8	8 13/16	9 3/4	3/4	1 13/16	1 7/8	6 5/16	3 1/8	24.0
3 7/16 3 1/2	29621307 29621308	29721307 29721308	3 9/64	14	3 5/8	9 3/4	10 5/8	11 1/2	7/8	1 7/8	2 1/4	7 1/2	3 3/4	34.5

Refer to Mounting and Dismounting Instructions on pages 120 and 121.

* **Note:** The elongated slots give broader mounting capabilities while still allowing the same center to center, min and max mounting dimensions of the old style Type E.



ME3000 EVEN-LOK™ 2-BOLT PILLOW BLOCK WITH TYPE E DIMENSIONS



For personal service and special requests, please call us at 800.242.4633. CAD drawings available upon request at no additional charge.

For nomenclature see pages 226 and 227.

ME-3000™
SPHERICALS



Post Office Box 99, Batavia, Illinois 60510, USA
630.584.4600, 800.242.4633, 630.584.1999 fax
www.molinebearing.com, sales@molinebearing.com

MOLINE BEARING CO.

TEL # **800.242.4633**

115