

ME2000 PILOTED FLANGE CARTRIDGE WITH TYPE E DIMENSIONS

SHAFT SIZE	MOLINE PART #		DIMENSIONS (INCHES)													WT. LBS
	EXP	NON-EXP	A	B	C	D	E	F	G	H	K	L	M	N		
1 1/16 40mm	29131111 29131040	29231111 29231040	3	6 1/8	2 3/16	5 1/8	7/8	7/16	1 9/16	1/2	4 1/4	2 5/8	3 5/8	2 7/8	8.5	
1 15/16 2 50mm	29131115 29131200 29131050	29231115 29231200 29231050	3	6 3/8	2 3/16	5 3/8	7/8	7/16	1 1/2	1/2	4 1/2	2 7/8	3 5/16	2 7/8	10.5	
2 3/16 55mm	29131203 29131055	29231203 29231055	3 1/4	7 1/8	2 7/16	6	1	1/2	1 25/32	1/2	5	3 1/4	4 1/4	3 1/8	14.5	
2 7/16 2 1/2 60mm 65mm	29131207 29131208 29131060 29131065	29231207 29231208 29231060 29231065	3 1/2	7 5/8	2 11/16	6 1/2	1	1/2	1 7/8	5/8	5 1/2	4	4 19/32	3 3/8	16	
2 11/16 2 3/4 2 15/16 3 70mm 75mm	29131211 29131212 29131215 29131300 29131070 29131075	29231211 29231212 29231215 29231300 29231070 29231075	3 13/16	8 3/4	2 13/16	7 1/2	1 1/4	5/8	2	3/4	6 3/8	4 3/8	5 19/64	3 5/8	22	
3 3/16 3 7/16 3 1/2 80mm 85mm 90mm	29131303 29131307 29131308 29131080 29131085 29131090	29231303 29231307 29231308 29231080 29231085 29231090	4 1/4	10 1/4	3 1/4	8 5/8	1 1/4	3/4	2 1/2	15/16	7 3/8	5 1/8	6 3/32	4 1/32	33	
3 11/16 3 15/16 4 100mm	29131311 29131315 29131400 29131100	29231311 29231315 29231400 29231100	4 3/4	10 7/8	3 9/16	9 3/8	1 1/2	3/4	2 5/8	1 1/16	8 1/8	6	6 5/8	4 19/32	45	
4 7/16 4 1/2 110mm 115mm	29131407 29131408 29131110 29131115M	29231407 29231408 29231110 29231115M	5 5/32	13 1/2	4	11 3/4	1 1/2	3/4	3 3/16	1	10 1/4	6 1/8	5 3/32	6 1/8	72	
4 15/16 5 125mm 130mm	29131415 29131500 29131125 29131130	29231415 29231500 29231125 29231130	6 1/16	14 3/4	5 3/4	12 3/4	1 3/4	7/8	3 9/16	1 1/4	11	6 7/8	5 17/32	7 7/16	99	

ME-2000™
SPHERICALS

Please Note: Before mounting, make sure there is sufficient clearance to access dismounting set screws on the back of the housing unit (yellow plastic protection plugs)

100

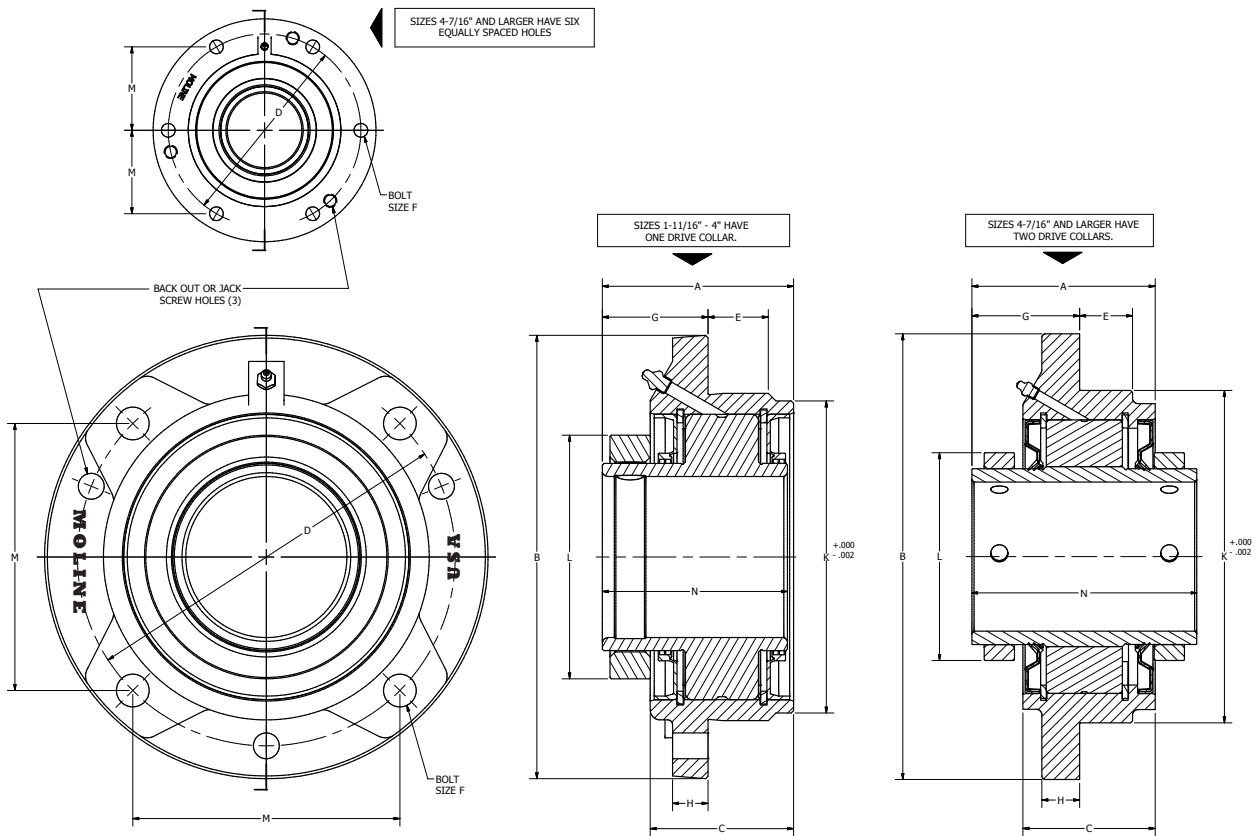
TEL # **800.242.4633**



Post Office Box 99, Batavia, Illinois 60510, USA
630.584.4600, 800.242.4633, 630.584.1999 fax
www.molinebearing.com, sales@molinebearing.com

MOLINE BEARING CO.

ME2000 PILOTED FLANGE CARTRIDGE WITH TYPE E DIMENSIONS



For personal service and special requests, please call us at 800.242.4633.

CAD drawings available upon request at no additional charge.

For nomenclature see pages 226 and 227.

ME-2000™
SPHERICALS



Post Office Box 99, Batavia, Illinois 60510, USA
630.584.4600, 800.242.4633, 630.584.1999 fax
www.molinebearing.com, sales@molinebearing.com

MOLINE BEARING CO.

TEL # **800.242.4633**